



Walkway Posts

What you'll need:

- 6 carpet tubes cut to 30"
- 6 Crew Sign Bases and 24" poles
- ¼" rope (we used about 60')
- drill and ½" bit
- measuring tape
- marker
- Wooden Plastic Table Cover*
- scissors
- clear packing tape
- hot glue gun

What you'll do:

Step 1: Mark both sides of the tube at 4" from the top, 10" from the top, and 18" from the top.

Step 2: Drill a hole that passes all the way through the tube at 4" inches from the top, 10" from the top, and 18" from the top. Our drill bit did not go all the way through the 4" tube. We marked both sides and drilled one side of the tube and then the other. Don't worry if the hole doesn't line up perfectly; the rope will still pass through.

Step 3: Wrap each tube with Wooden Plastic Table Cover, making sure the grain goes up and down, and roll the tape so it doesn't show. Tuck the ends in and secure with tape.

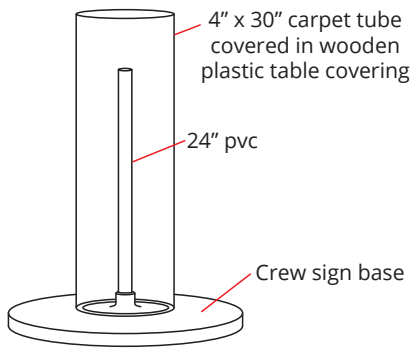
Step 4: Use scissors to poke holes in the plastic table cover where you drilled the holes.

Step 5: Tape the ends of the rope, then thread through the set of holes.

Step 6: Put the post on the plastic and trace around the post. Cut out a circle 1" wider than the post.

Step 7: Use hot glue to attach the circle to the top of the post to cap the post. Attach a rope ring around the top of the post with hot glue. Repeat steps 4-7 for each wrapped post.

Tip: Use a cool setting on the hot glue gun or allow the glue to cool a bit before attaching the plastic cap or rope ring on the post.



*available at vbs.osv.com

Crew Sign Base

What you'll need:

- 12"x12"x¾" wood base
- drill with screw and drill bit
- 4 screws (¾" wood screws)
- ½" PVC male to slip adapter (a PVC fitting that screws into the floor flange and the pole slides in)
- ½" floor flange
- ½" PVC pipe (we like to use 36" poles for our Crew signs to attach to)

What you'll do:

Step 1: Place the floor flange in the center of the wood base.

Step 2: Mark each hole of the floor flange on the wood, remove the flange, and drill pilot holes in the wood.

Step 3: Screw the floor flange to the wood base.

Step 4: Twist the male PVC adapter into the floor flange. Press the PVC pole into the adapter.

Step 5: Tape or zip tie the Crew sign onto the PVC pole.

Tip: Add theme decor to make it festive.

Carpet Planks

What you'll need:

- 30"x6' lengths of carpet in 2 shades/colors we used f brown and gray
- utility knife
- yardstick
- marker
- cutting mat
- duct tape
- carpet tape or no-slip mat (if the walkway is going to be placed on a surface other than carpet)
- paint (white and brown)
- paintbrush
- disposable plate
- disposable gloves
- paint tarp

What you'll do:

Step 1: Lay out the carpet and identify the direction the lines of weave go. The length of the planks will follow the lines in the carpet (this helps create a wood grain effect). Cut the carpet in strips that measure 5"x30" making sure the strips go in the direction of the "wood grain."

Step 2: Dry brush brown lines to create wood grain details across the length of the planks.

Step 3: Add some white and brown highlights on top of the brown carpet. Add only white stripes on the gray carpet planks.

Step 4: Arrange the carpet strips so that the colors alternate and are variegated.

Step 5: Flip the carpet strips face down and duct tape together two long strips toward each edge and then two down the middle like train tracks going down the sides and center.

